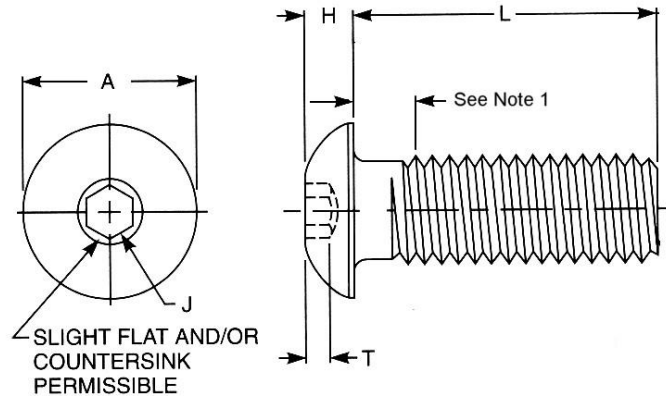


Socket Button Head
To ANSI B18.3



Dimensional Data

Thread Size	T.P.I UNC	T.P.I UNF	Head Diameter (Max) A	Head Height (Max) H	Key Size J	Key Engagement (Min) T	Maximum Standard Length
0		80	0.114	0.032	0.035	0.020	0.50
1	64	72	0.139	0.039	0.050	0.028	0.50
2	56	64	0.164	0.046	0.050	0.028	0.50
3	48	56	0.188	0.052	1/16	0.035	0.50
4	40	48	0.213	0.059	1/16	0.035	0.50
5	40	44	0.238	0.066	5/64	0.044	0.50
6	32	40	0.262	0.073	5/64	0.044	0.63
8	32	36	0.312	0.087	3/32	0.052	0.75
10	24	32	0.361	0.101	1/8	0.070	1.00
1/4	20	28	0.437	0.132	5/32	0.087	1.00
5/16	18	24	0.547	0.166	3/16	0.105	1.00
3/8	16	24	0.656	0.199	7/32	0.122	1.25
1/2	13	20	0.875	0.265	5/16	0.175	2.00
5/8	11	18	1.000	0.331	3/8	0.210	2.00

Note 1. Screws longer than standard length listed above, thread length shall be between the minimum limit of twice the diameter plus 0.5 in and the maximum limit of within two pitches of the head