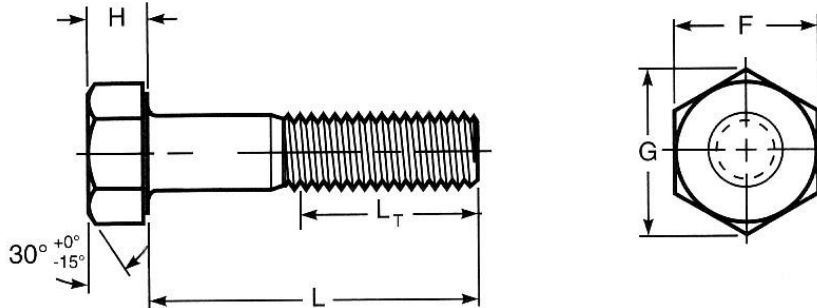


Hexagon Head Bolts
To ANSI B18.2.1



Dimensional Data

Thread Size	T.P.I UNC	T.P.I UNF	Across Flats (Basic) F	Head Height (Basic) H	Across Corners (Max) G	Thread Length Bolts Up To 6" Long L _T	Thread Length Bolts Over 6" Long L _T
1/4	20	28	7/16	5/32	0.505	0.750	1.000
5/16	18	24	1/2	13/64	0.577	0.875	1.125
3/8	16	24	9/16	15/64	0.650	1.000	1.250
7/16	14	20	5/8	9/32	0.722	1.125	1.375
1/2	13	20	3/4	5/16	0.866	1.250	1.500
5/8	11	18	15/16	25/64	1.083	1.500	1.750
3/4	10	16	1-1/8	15/32	1.299	1.750	2.000
7/8	9	14	1-5/16	35/64	1.516	2.000	2.250
1	8	12	1-1/2	39/64	1.732	2.250	2.500
1-1/8	7	8	1-11/16	11/16	1.949	2.500	2.750
1-1/4	7	8	1-7/8	25/32	2.165	2.750	3.000
1-3/8	6	8	2-1/16	27/32	2.382	3.000	3.250
1-1/2	6	8	2-1/4	1-5/16	2.598	3.250	3.500
1-3/4	5	8	2-5/8	1-3/32	3.031	3.750	4.000
2	4-1/2	8	3	1-7/32	3.464	4.250	4.500

All Hex Bolts may have an additional 1/4" to 3/8" of thread, particularly on short lengths up to 1-1/2" and on longer lengths over 4"