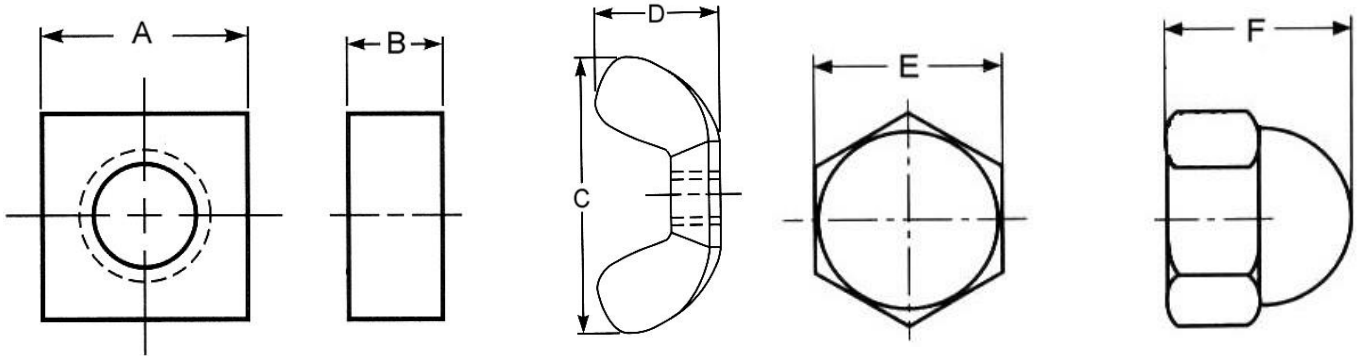


## Square, Wing & Dome Nuts



**Dimensional Data**

Thread Size	T.P.I UNC	T.P.I UNF	Square Nut Across Flats (Max) A	Square Nut Height (Max) B	Wing Nuts Span (Max) C	Wing Nuts Height (Max) D	Dome Nuts Across Flats (Max) E	Dome Nut Height (+/-0.10)
0		80	0.156	0.050	*	*	*	*
1	64	72	0.156	0.050	*	*	*	*
2	56	64	0.188	0.066	*	*	*	*
3	48	56	0.188	0.066	*	*	*	*
4	40	48	0.250	0.098	0.720	0.410	0.250	0.250
5	40	44	0.312	0.114	*	*	*	*
6	32	40	0.312	0.114	0.720	0.410	0.312	0.296
8	32	36	0.344	0.130	0.910	0.470	0.312	0.312
10	24	32	0.375	0.130	0.910	0.470	0.375	0.390
12	24	28	0.438	0.161	*	*	0.375	0.421
1/4	20	28	0.438	0.193	1.100	0.570	0.437	0.468
5/16	18	24	0.562	0.225	1.250	0.660	0.562	0.531
3/8	16	24	0.625	0.257	1.440	0.790	0.625	0.625
7/16	14	20	*	*	*	*	0.625	0.718
1/2	13	20	*	*	1.940	1.000	0.750	0.812
5/8	11	18	*	*	*	*	1.000	0.984
3/4	10	16	*	*	*	*	1.062	1.187